



LUXURY WINDOWS
I T A L I A

Finestra e porta a battente
Hinged window and door

LUX 75





Luce e trasparenza le linee guida del design moderno assumono caratteristiche sempre più orientate a rendere fluide le divisioni ambientali tra interno ed esterno.

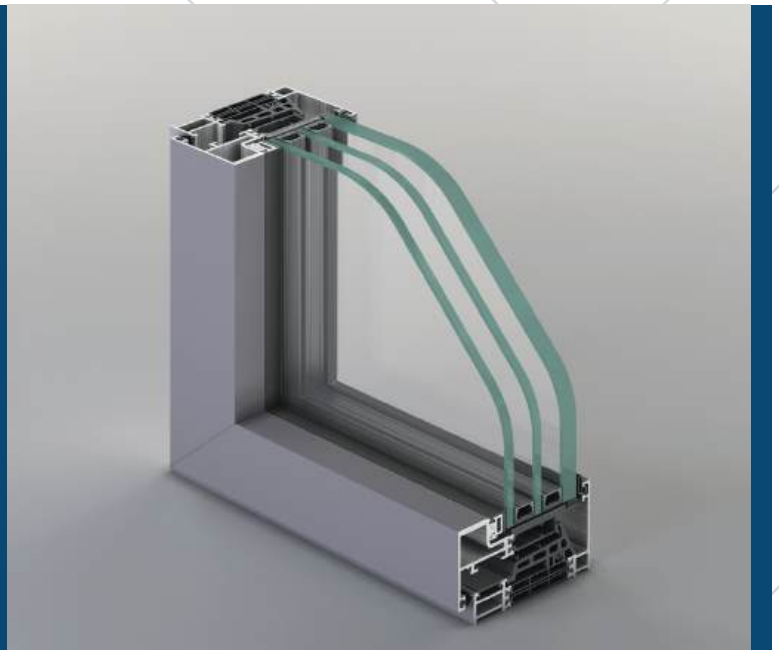
I sistemi integrati della linea Manimale garantiscono il massimo della luminosità con eccellenti performance di isolamento termico e acustico. Si tratta di serramenti in alluminio caratterizzati da spessori ridotti al minimo. L'intero sistema tende a scomparire sulle grandi dimensioni, consentendo di recuperare un'importante percentuale di luce filtrante, soprattutto se montato su piccole aperture.

I prodotti più essenziali arrivano a considerare gli spessori in soli 35 mm. La gamma permette di scegliere tra serramenti per finestre a battente a una o due ante, ma anche porte scorrevoli, facciate continue e balconi.

Light and transparent the guidelines of modern design take on characteristics that are increasingly oriented towards making the environmental divisions between inside and outside fluid.

The integrated systems making the Minimal line guarantee maximum brightness with excellent thermal and acoustic insulation performance. These are aluminium thicknesses. The entire system tends to disappear on large dimensions, making it possible to recover an important percentage of filtering light, especially if mounted on small openings.

The most essential products manage to condense thicknesses into just 35 mm. The range allows you to choose between single or double-leaf French windows, but also doors, curtain walls and balconies.



Sostenibilità

Sustainability

Perché scegliere la Finestra LUX 65

ESSENZIALE E LUMINOSO

Geometrie compatte che consentono di recuperare luminosità negli spazi. La tecnologia giunge ai suoi massimi livelli e si condensa fino a soli 63 mm di spessore. La bellezza si traduce in design.

DUARATA NEL TEMPO

Resistenza meccanica, stabilità, robustezza e manutenzione ridotta ai minimi termini. Numerose qualità e straordinari vantaggi in un unico materiale in grado di durare per sempre.

ISOLAMENTO TERMICO E ACUSTICO

Con la tecnologia HES (High Energy Saving) l'isolamento termico e ai massimi livelli prestazionali. La riduzione dei costi energetici nel riscaldamento e raffreddamento è assicurata, così come il comfort abitativo reso ancor più elevato del perfetto isolamento acustico.

ALTA SICUREZZA

Sicurezza garantita con i sistemi antieffrazione in classe RC2 e RC3. Un sistema di chiusura perimetrale fino a 16 punti (predisposizione antifurto) capace di resistere a scassinatori e malintenzionati.

Why choose LUX 65 Window

ESSENTIAL AND BRIGHT

Compact geometries that allow you to recover brightness in the spaces. The technology reaches its maximum levels and condenses down to just 63 mm thick. Beauty translates into design and is completed with canceled accessories and minimal handles.

LONG LASTING

Mechanical resistance, stability, sturdiness and maintenance are reduced to a minimum. Numerous qualities and extraordinary advantages in a single material are capable of lasting forever.

THERMAL AND ACUSTIC INSULATION

With HES (High Energy Saving) technology, thermal insulation is at the highest performance levels. The reduction of energy costs in heating and cooling is ensured, as well as the living comfort made even higher by the perfect acoustic insulation.

HIGH SECURITY

Guaranteed security with RC2 and RC3 class anti-burglary systems. A perimeter locking system up to 16 points (anti-theft predisposition) capable of resisting burglars and ill-intentioned.

TENUTA ALL'ACQUA

Water Tightness

EN 1027 - EN 12208

Capacity of the window or door to block seepage of water when it is struck by a water flow and there is a pressure difference between the internal and external side.



The window or door has not had any seepage of water even with a wind pressure equal to a speed of 111,54 Km/h (600Pa).

Air pressure applied
Km/h
Class achieved

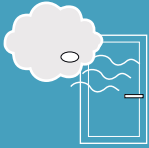
(0Pa)	(50Pa)	(100Pa)	(150Pa)	(200Pa)	(250Pa)	(300Pa)	(450Pa)	(600Pa)	(900Pa)
0	32,2	45,53	55,77	64,39	72	78,87	96,59	111,54	136,6
1A	2A	3A	4A	5A	6A	7A	8A	9A	E900

PERMEABILITÀ ALL'ARIA

Air Permeability

EN 1026 - EN 12207

Characteristic of a closed vent to let air pass through when the internal and external pressures are mutually different; the smaller the volume dispersed, the greater the window or door quality.



The window or door was subjected to a wind pressure equal to a speed of 111,54 Km/h (600Pa) and passed the test with positive results.

Air pressure applied
Class achieved

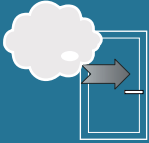
(150Pa)	(300Pa)	(600Pa)	(600Pa)
1	2	3	4

RESISTENZA AL VENTO

Resistance to wind load

EN 12211 - EN 12210

Capacity of a window or door subjected to high pressure and/or suction, such as those caused by wind, to remain within admissible deformation limits and to conserve its initial properties so as to ensure protection and safety to the users.






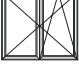
The window or door was subjected to a wind pressure equal to a speed of 203 Km/h (2000Pa) and passed the test with positive results.

Air pressure applied
With deflection
Class achieved

(400Pa)	(800Pa)	(1200Pa)	(1600Pa)	(2000Pa)	(>2000Pa)
A (1/150)		B (1/200)		C (1/300)	
1	2	3	4	5	Exxx

SPESSORE VETRO

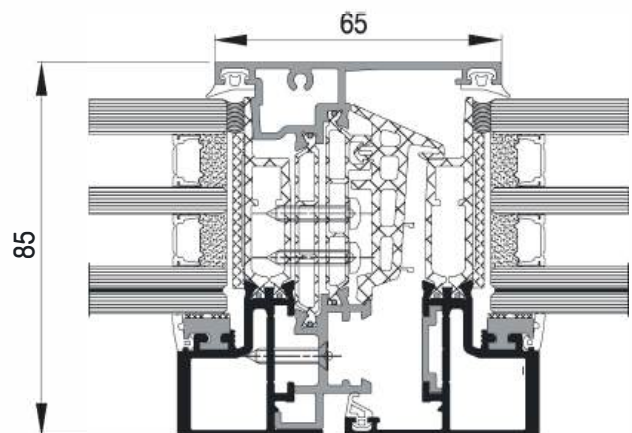
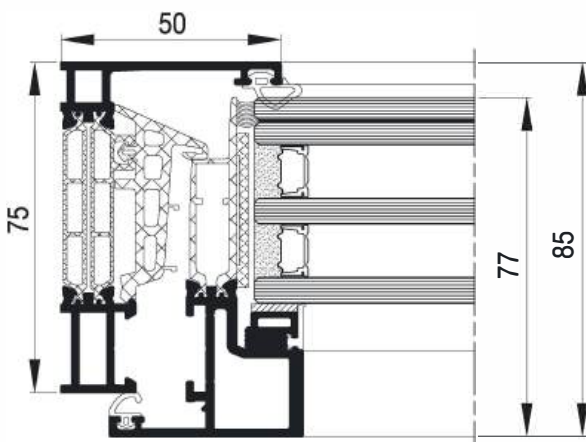
Glass Thickness

Certifying body Number	EN 1026 - EN 12207 - EN 1027 EN 12208 - EN 12211 - EN 12210	Dimensions b x h	Air permeability class	Water tightness class	Resistance to wind load class
IFT N° 17-002837-PR07	Double casement window with tilt-and-turn (low threshold)	 1805 x 2417	4	9A	C2
IFT N° 17-002837-PR07	Double casement window with tilt-and-turn	 1859 x 2448	4	9A	C2
IFT N° 17-002837-PR07	1 tilt and turn window with fixed underlight	 1275 x 2450	4	E750	C4/B4
ISTITUTO GIORDANO 402272 / 15893 / CPR	Double casement window with tilt-and-turn	 1400 x 1510	4	9A	C2

TRASMITTANZA TERMICA

Thermal Transmittance

Certifying body Number	Value tested in accordance with EN ISO 10077-2 and EN 12412-2
I.F.T. ROSENHEIM 20-003438-PR01	Uf = 1,3 - 2,3 W / m²K



Telaio | Frame
75 mm

Anta | Sash
77mm

Sottigliezza Vetro | Thickness from
28 mm to 50 mm

Trasmittanza Termica | Thermal Transmittance
Uf value 1.3-2.5 W/m²K



LUXURY WINDOWS
I T A L I A



Luxury Windows Italia

via Flavio Domiziano 40/42 - Roma

www.luxurywindowsitalia.com | info@luxurywindowsitalia.com

Informazioni

More Info



luxwin.it

PDF LUX 75



Scarica

Download